

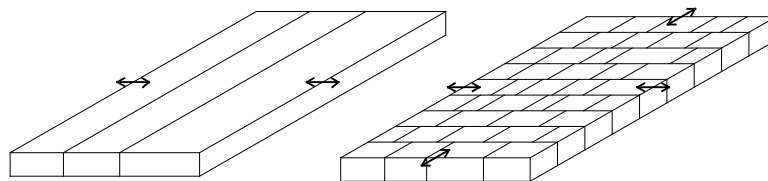
# Laminated Panels Information Sheet

All solid wood products are susceptible to damage from changes in humidity and exposure to moisture. Classic Woodcraft will replace any product found to be defective due to poor workmanship, but not products damaged by moisture/humidity damage, or improper storage and installation. To ensure the wood countertop you have just received looks great, and is long-lasting, please ensure you follow proper storage, finishing and installation procedures as described below.

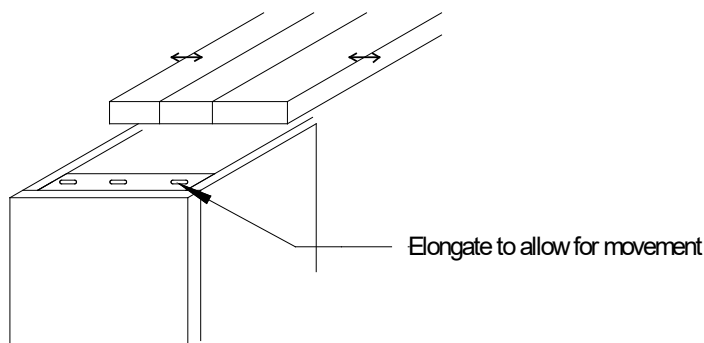
Wood counters should be finished as soon as possible after you receive them. If the countertop is to be used as a work surface, we generally recommend a food grade mineral oil or other available "Butcher-Block" finishes. Note these finishes typically never "cure", and will require re-applications for the life of your countertop. Counters used on furniture pieces, or where you need a finish that will cure as a solid film, generally need a conversion varnish or polyurethane type finish.

Special care should be taken to allow air movement to all sides and edges such that the wood expands and contracts equally on both sides and does not warp or cup. Extra caution around heat sources (especially radiant heating units) must be taken.

Attachment of solid wood countertops to cabinet boxes requires special care. THE WOOD MUST BE ALLOWED TO EXPAND AND CONTRACT. Movement is unavoidable and can only be managed as best as possible. Flat-Grained (slab style) and Edge-grain counters will expand and contract across the grain as the humidity in the air changes. End Grain counters will expand and contract in both width and length. End Grain Counters are only recommended where expansion and contraction won't cause undesired results.



The holes through the cabinet must be elongated or oversized at the front of the cabinet or where you want to allow the movement to take place. Typically, a large washer and wood screw NOT OVERTIGHTENED works well.



Sinks in wood counters are generally not recommended. If a sink is installed (under mount or top mount) special care must be taken to dry the area every time the sink is used.

